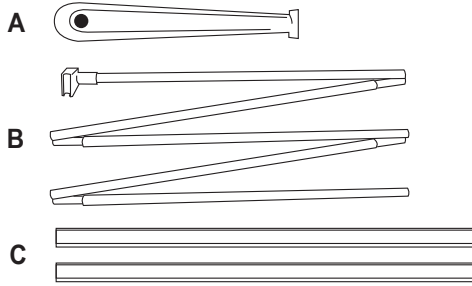
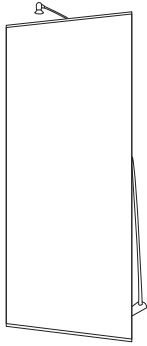


ExpressStand™

Specifications



A - Foot Base
B - Fiberglass Pole
C - Snap-Lock Profile

Note : Always roll graphic "image side out" during storage



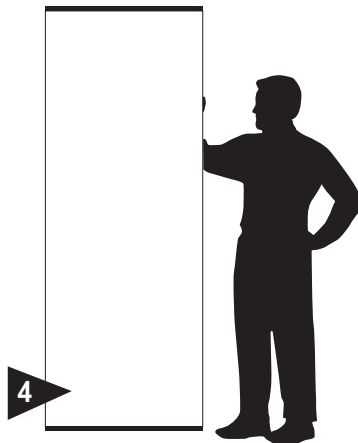
1
 Remove ExpressStand from bag and slide metal foot base into bottom profile of the graphic.



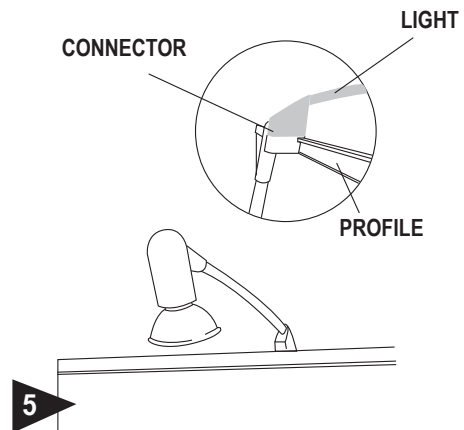
2
 Assemble pole. Attach top pole connector to top profile of the graphic.



3
 Flex pole and insert bottom of pole into the hole in the metal foot base.



4
 Display can be repositioned after set up.



5
OPTIONAL
 To attach light place connector into top of pole.