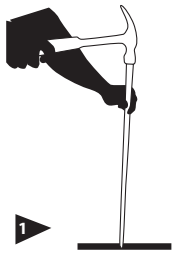


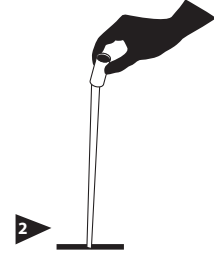
# EZ Flag

## SPECIFICATIONS & INSTRUCTIONS

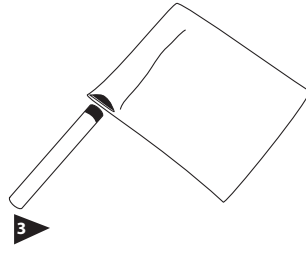
### GROUND STAKE INSTRUCTIONS



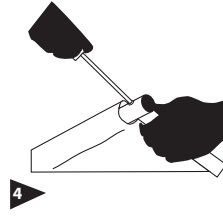
**1**  
Pound ground stake at least 12" into the ground.



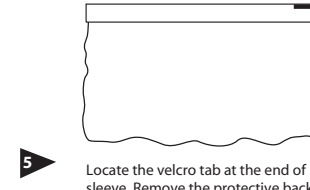
**2**  
Slide the EZ Glide collar over top the ground stake.



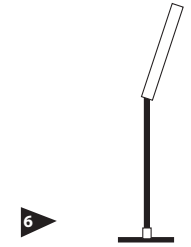
**3**  
Assemble the side pole and insert it into the sleeve on the left of the graphic, then slide the top pole into the sleeve on the top of the graphic.



**4**  
Screw the two poles together.

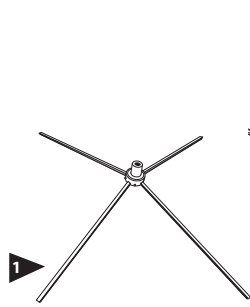


**5**  
Locate the velcro tab at the end of the sleeve. Remove the protective backing and apply the adhesive layer directly to the pole. (Note: When disassembling flag, simply unzip velcro pieces from each other.)

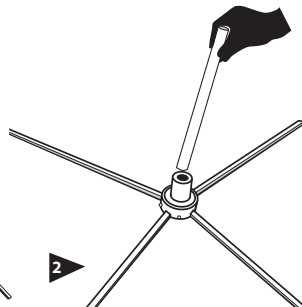


**6**  
Place the EZ Flag over the ground stake.

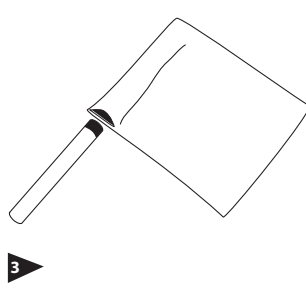
### HARD SURFACE STAND INSTRUCTIONS



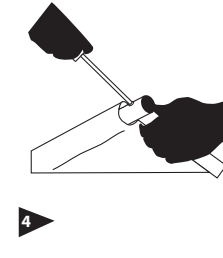
**1**  
Place the hard surface stand in the desired location



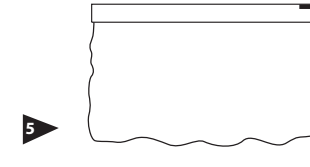
**2**  
Place the insert pipe into the hard surface stand



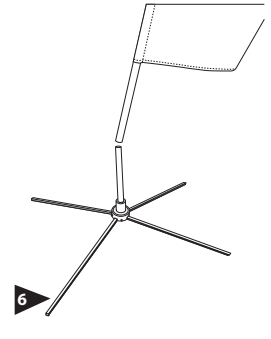
**3**  
Assemble the side pole and insert it into the sleeve on the left of the graphic, then slide the top pole into the sleeve on the top of the graphic.



**4**  
Screw the two poles together.

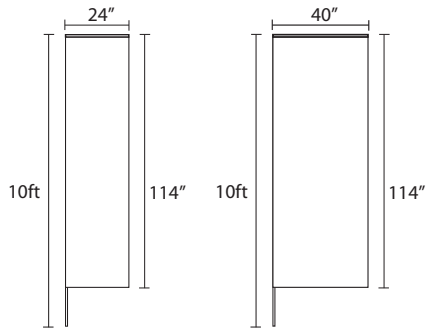


**5**  
Locate the velcro tab at the end of the sleeve. Remove the protective backing and apply the adhesive layer directly to the pole. (Note: When disassembling flag, simply unzip velcro pieces from each other.)



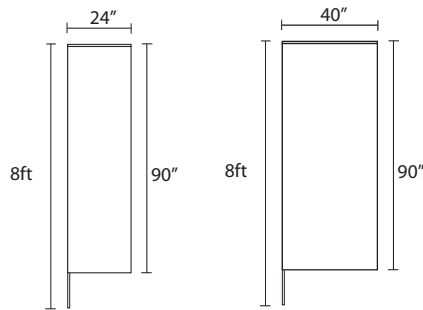
**6**  
Place the EZ Flag over the insert pipe

### SPECIFICATIONS



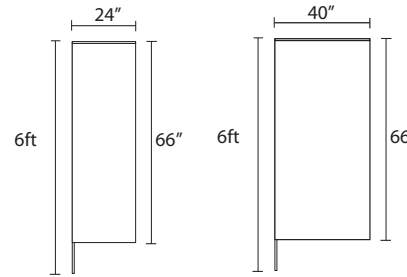
Viewable area  
23"W x 111.5"H

Viewable area  
40"W x 114"H



Viewable area  
24"W x 90"H







Viewable area  
40"W x 90"H



Viewable area  
24"W x 66"H

Viewable area  
40"W x 66"H

### PARTS:

- A**  **A - Side Pole**
- B**  **B - Top Pole**
- C**  **C - Ground Stake**
- D**  **D - EZ Glide Collar**
- E**  **E - Hard Surface Stand**
- F**  **F - Insert Pipe**

### NOTES:

- Refer to the graphic templates for art layout sizes.
- Custom Sizes are available.
- Critical art and text should not be within 2" of the sides and 1.5" of the top and bottom of the viewable area.
- See "Preparing Digital Files" for specific details on submitting art.